

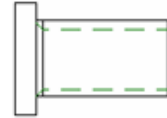
Major Features of Alibre Design 11.0

Drag and Drop Constraint Mode

A powerful new constraint application mode using visual feedback and real-time editing to apply constraints. Simply drag a part near another and the system previews applicable constraints on screen and allows easy changes and adjustments, like flip or rotate, before applying constraints.

External Thread Representation

Get industry standard 2D drawings of external threads without modeling the threads in 3D. Just specify thread data while modeling simplified 3D geometry and this information is used to create the 2D drawing, lowering you modeling overhead and generating better drawings.



Automatic Title Blocks, and More

2D Drawing Templates can be created which contain intelligent links that read data from part and assembly files. Title blocks and other drawing fields are automatically filled out, substantially reducing drawing time and errors. If the data in the source drawing or assembly file changes, these fields update automatically.

Un-sectioning Parts in 2D

You can now select the parts in 2D Section Views that won't be sectioned, providing full user control over which parts are sectioned and which are not.

Enhanced View Rotation

New view rotation mode that automatically uses the mouse location as the center of view rotation. If the mouse hovers over part geometry while view rotation is invoked, the mouse location becomes the center of view rotation, saving time by eliminating the need to zoom in or out to get the desired view orientation.

Dimension Alignment

2D dimensions now snap to each other to make precisely lining up dimensions fast and easy. Works with vertical, horizontal, and center alignments.

Better Part Dragging with Assembly Constraints

Dragging parts within assemblies while honoring constraints behaves more naturally. New constraint interpretation means it is no longer required to change between move and rotate tools to get the desired movement.

Customizable and Easier to Use

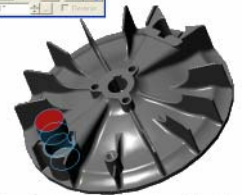
You can now customize the sizes and the colors of several items, including endpoint nodes and inferred sketch projection lines, making sketching easier and putting less strain on your eyes. Also, midpoint nodes are now inferred and appear automatically on line and arc segments by hovering the mouse.



Drag the part to constrain



Constraints are previewed in real time as you drag



Easily commit or modify the constraint using new menus

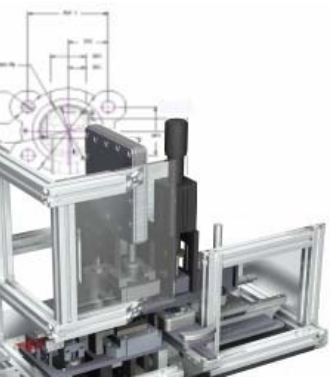
Performance Improvements

2D Performance

2D performance in Alibre Design 11.0 is substantially upgraded over previous versions. Fast Views, introduced in Alibre Design 10.0, are now on average 4 times faster during view projection than in previous versions. You wait seconds, not minutes, to see your drawings.

Assembly Performance

Alibre Design 11.0 offers huge speed improvements for nearly all common tasks in assemblies. Over 30 common tasks, such as editing parts or creating section views, have been made at least twice as fast on average. Combined, these represent a substantially more productive modeling and assembly experience.



The Alibre Vault by M-Files



Alibre Design 11.0 offers true, completely integrated, data and process management for all your files and workflows. Whether you are a small business, an individual, or a large corporation, the Alibre Vault by M-Files will cover all your data management needs. The Alibre Vault by M-Files is a replacement for the Alibre Repository found in previous versions of Alibre Design.

Familiar Interface

- Integrates with **Windows Explorer and Alibre Design** - instantly familiar to everyone.
- The document repository appears as a **virtual disk drive**.
- **Direct opening and saving** from all Windows applications.
- File management is made easy by supporting **all file types**, including Office, PDF, and CAD files.



Controlled Editing

- **Check-out** and **check-in** operations eliminate the problems of simultaneous changes.
- Preserves **old versions** automatically.
- Records a **change log** with usernames, timestamps, and comments.



Saving You Time Every Day

- Alibre Vault helps you **find** documents instantly by typing words in the search box.
- High-performance index of **file contents and metadata**.
- Dynamically view documents in **any hierarchical structure** you choose.
- Make the same document available from multiple folders **without creating copies**.



Independent of Location

- Remarkably fast over **remote connections**.
- Traveling users can view, create, edit, and store documents in **offline mode**, with automatic synchronization.
- Enable Alibre Vault Web Access to make documents available to anyone with a **Web browser**, including Mac and Linux users.



Security

- **Control data visibility**; hide sensitive documents while maintaining a single storage location.
- **Simple options** and customizable default permissions set by document class reduce the risk of human error.
- Compatible with **Active Directory**.
- Electronic document management system automatically schedules **backups** of all data.



Collaboration Possibilities

- **E-mail notification** of new and modified documents.
- Simple **assignments** for ad hoc collaboration.
- Basic and advanced **workflow** capabilities for formal processes.

